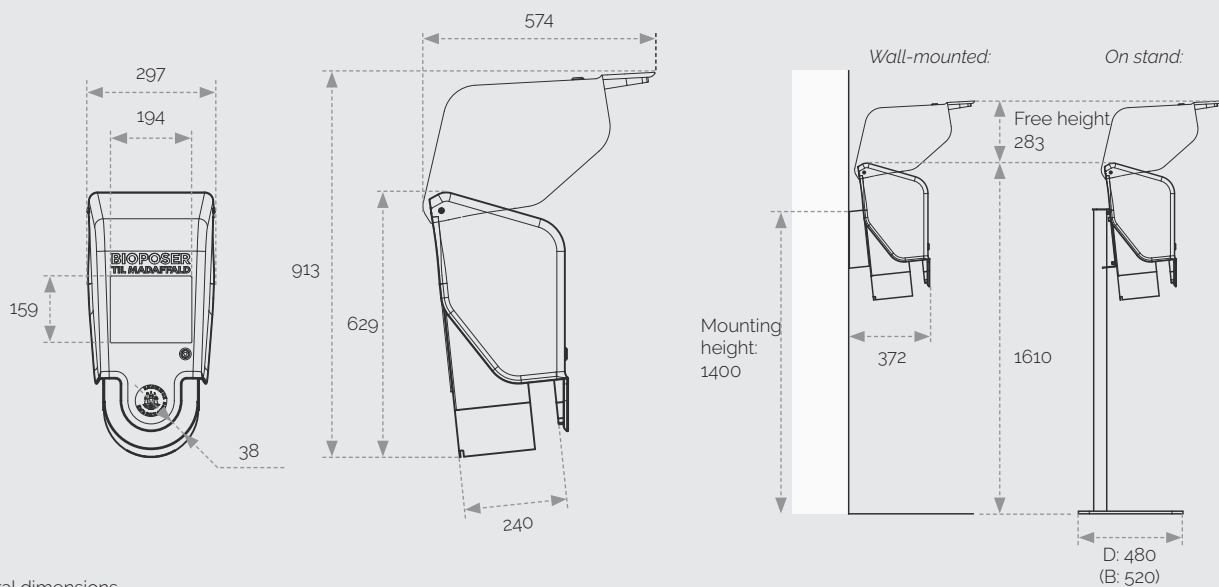
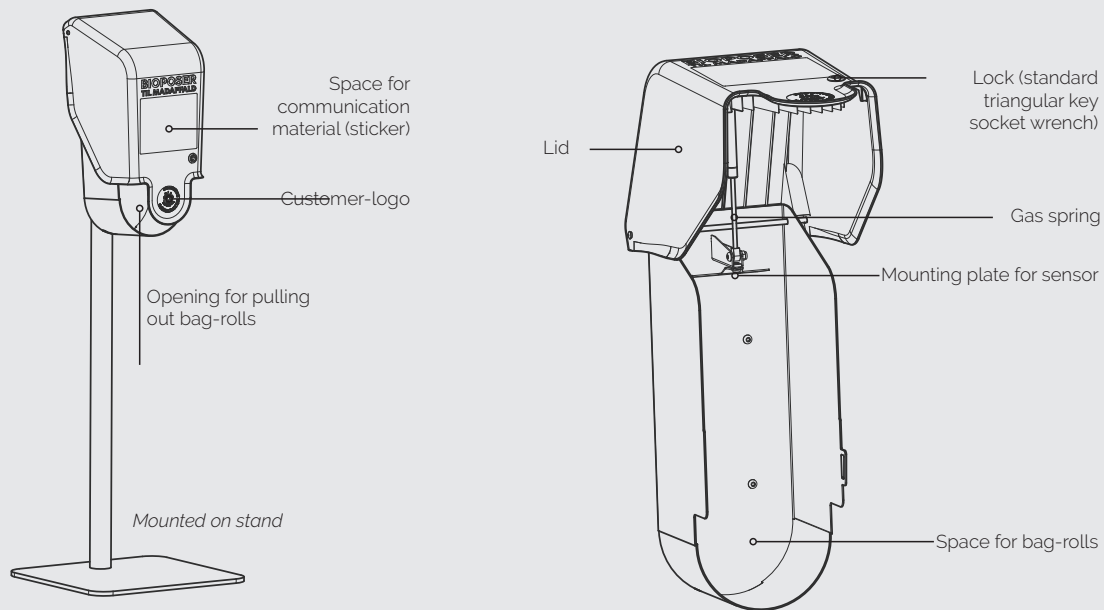


Bio-bag dispenser

The bio-bag dispenser offers urban residents easy access to free bio-bags for food-waste sorting. They are placed in the shared waste area of the property, making bio-bags for food waste easily accessible to residents. Rolls of bio-bags are individually packed in an airtight, plastic pouch. They are pulled

out one by one through the opening. The bio-bag dispenser is refilled by municipality staff or similar. A sensor can be added to monitor the stock level for optimizing the refilling process. The bio-bag dispenser is available both as a freestanding version with a stand and as a wall-mounted version with brackets.



General dimensions

Material:

Cover: HDPE recycled plastic.

Requirement for bio-bag rolls:

Space for bag-rolls, mounting plate, stand and wall mount: powder coated steel.

Wall mount:

Bioposerullerne skal pakkes individuelt i en luft- og vandtæt emballage.

Anchored in bricks with stainless steel concrete screw HUS4-HR 10x65 5/-/- #2357601 or stainless steel frame anchor HRD-HR2 10x60 #423897 from Hilti, or similar.

Requirements for refilling:

The bag-rolls are stacked no higher than the marked limit.